

UV400 Sleeves

Museums, Archives and Libraries

encapsulite

ILLUMINATING BY DESIGN



T5 Tube \varnothing 17.5mm T8 Tube \varnothing 27.5mm

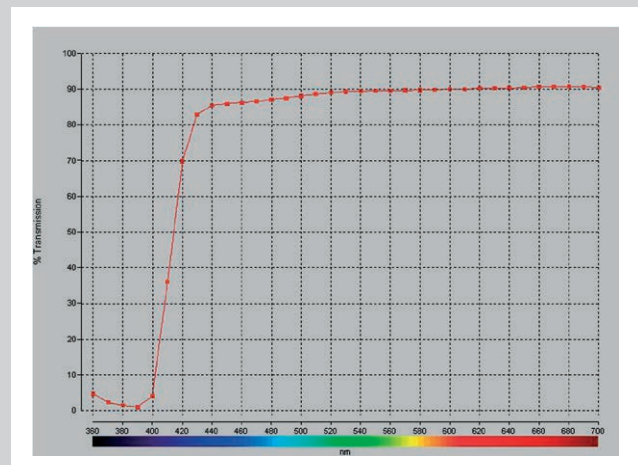


T5 UV400



T8 UV400

- This product from Encapsulite was developed to filter out harmful UV from fluorescent tubes while still retaining good lamp colour temperature, importantly the new UV400 avoids interfering with the fitment of louvers and diffusers often used in conjunction with the UV filter.
- Cuts out all UV up to 400 nanometers.
- Conforms to BS 5454.

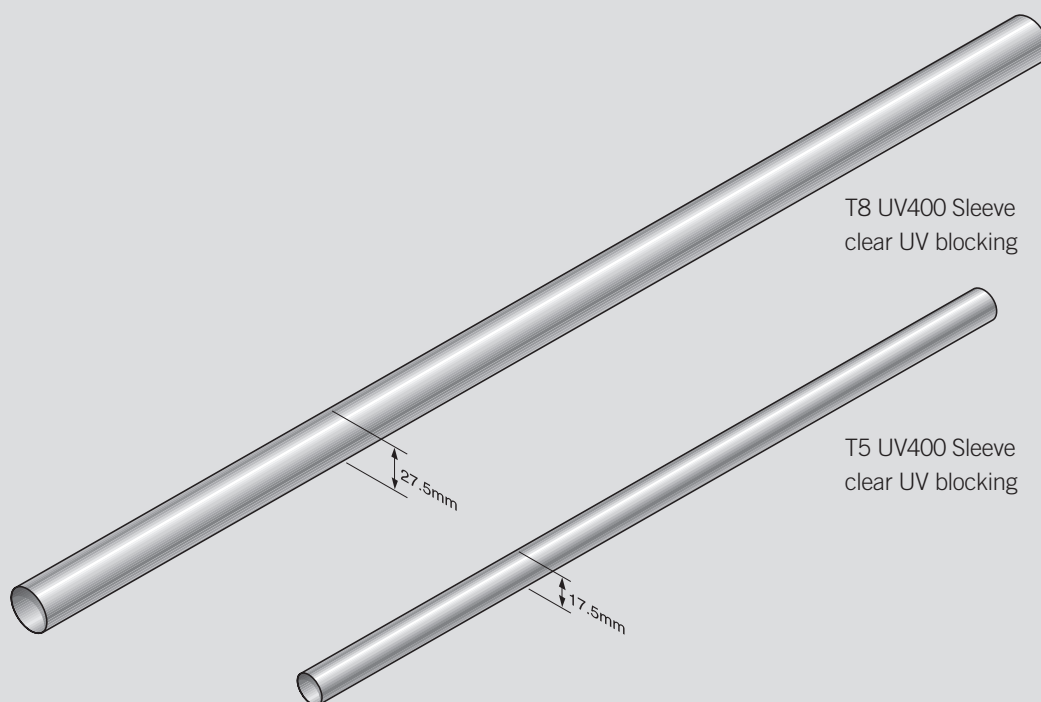


UV400 Sleeves

Museums, Archives and Libraries



ILLUMINATING BY DESIGN



Weitere Informationen/Optionen unter +49 (0) 2241 844 933
oder per E-Mail info@encapsulite-europe.com

Please Note: Do not use or clean with chemicals. Not for use submerged in water.

Specification

- Lamp Specific sizes to fit
T5 and T8 lamps
Not suitable for HO lamp
- Construction Polycarbonate tubing extruded with
UV inhibitor, 0.45mm wall x 27.5mm
for T8 and 17.5mm for T5
- Temperature -90 – +120°C
- Standards BS5454 1989
CE, WEEE and ROHS compliant



T5 TUBE
ø17.5mm

T8 TUBE
ø27.5mm

UV400 SLEEVES

UV400 T5

UV400 T8

PART No	LENGTH mm	PART No	LENGTH mm
UV400 T5 6w	230	UV400 T8 15w	450
UV400 T5 8w	300	UV400 T8 18w	600
UV400 T5 13w	525	UV400 T8 30w	900
UV400 T5 14w	549	UV400 T8 38w	1050
UV400 T5 21w	849	UV400 T8 36w	1200
UV400 T5 28w	1149	UV400 T8 58w	1500
UV400 T5 35w	1449	UV400 T8 70w	1800