

C20, LY5 & G10 Sleeves

Safety lighting

encapsulite

ILLUMINATING BY DESIGN



T5 Tube \varnothing 20mm

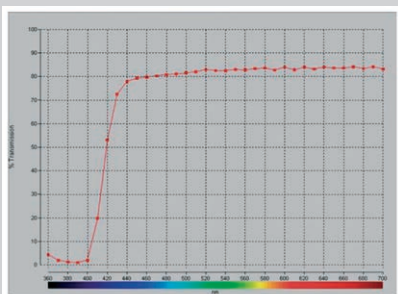


T8 Tube \varnothing 33mm



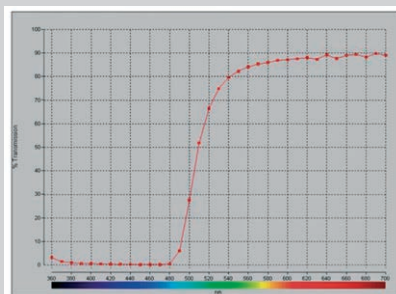
■ C20 – Clear

The EncapSulite C20 sleeve is safe up to 400 nanometers and is designed for use in museums, archives and galleries, where constant exposure to unprotected fluorescent lighting will damage items on display. T5 and T8. Conforms to BS 5454.



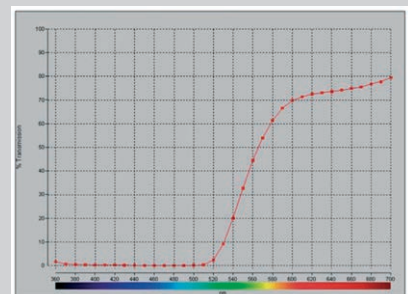
■ LY5 – Light yellow

The EncapSulite LY5 sleeve contains a specially coated light yellow ultra violet absorbing filter, safe up to 470 nanometers. Designed for higher UV-sensitive materials and locations but giving utmost brightness.



■ G10 – Gold

Safe up to 520 nanometers and designed for locations such as clean rooms, plate making, circuit board and semiconductor manufacturing plants.

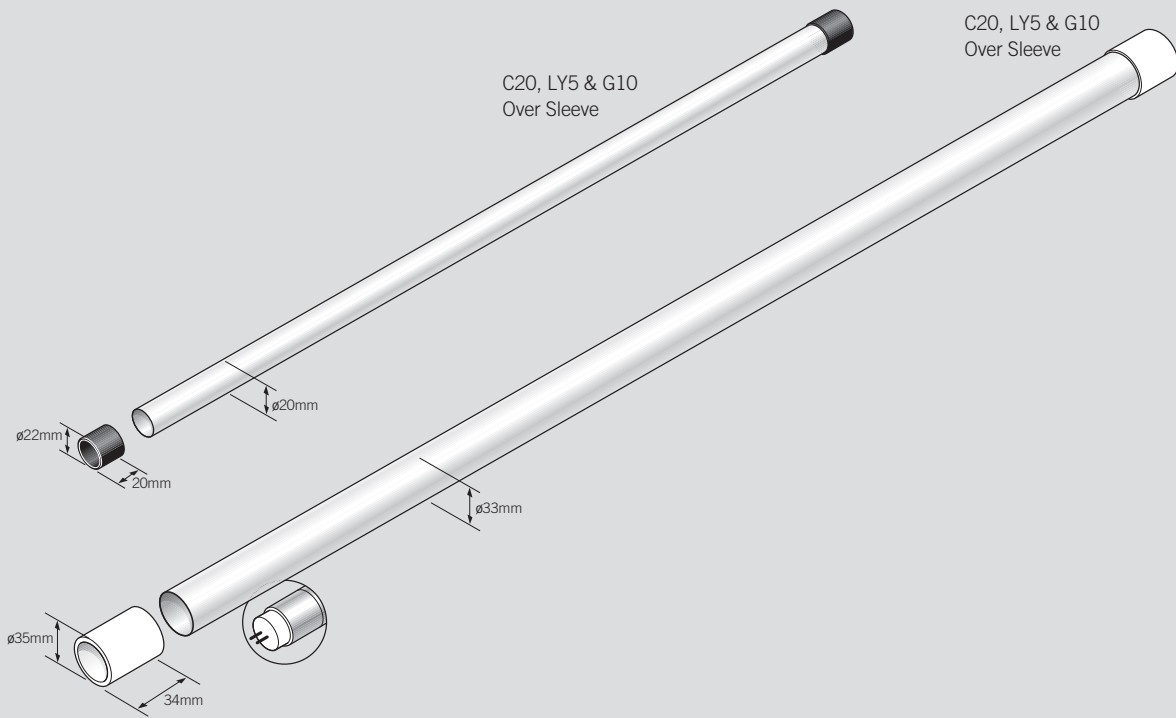


C20, LY5 & G10 Sleeves

Safety lighting



ILLUMINATING BY DESIGN



Specification

- Standards BS5454 1989
- CE, WEEE and ROHS compliant



T5 TUBE
ø20mm

T8 TUBE
ø33mm



C20, LY5 & G10 SLEEVES

T5

T8

PART No & C20, LY5 & G10

PART No & C20, LY5 & G10

T5 8w

T8 15w

T5 14w

T8 18w

T5 21w

T8 30w

T5 28w

T5 36w

T5 35w

T8 58w

T8 70w

Weitere Informationen/Optionen unter +49 (0) 2241 844 933
oder per E-Mail info@encapsulite-europe.com